

tscte

Question Paper Name: Bio Medical Engineering 28th May 2019 Shift 2
Subject Name: Bio medical Engineering
Creation Date: 2019-05-27 18:50:33
Duration: 120
Total Marks: 120
Display Marks: No
Share Answer Key With Delivery Engine: Yes
Actual Answer Key: Yes

Bio Medical Engineering

Group Number : 1
Group Id : 39090036
Group Maximum Duration : 0
Group Minimum Duration : 120
Revisit allowed for view? : No
Revisit allowed for edit? : No
Break time: 0
Group Marks: 120

Mathematics

Section Id : 39090066
Section Number : 1
Section type : Online
Mandatory or Optional: Mandatory
Number of Questions: 10
Number of Questions to be attempted: 10
Section Marks: 10
Display Number Panel: Yes
Group All Questions: No

Sub-Section Number: 1
Sub-Section Id: 39090066
Question Shuffling Allowed : Yes

Question Number : 1 Question Id : 3909004201 Question Type : MCQ Option Shuffling : Yes Display Question Number : Yes
Single Line Question Option : No Option Orientation : Vertical
Correct Marks : 1 Wrong Marks : 0

Sum of squares of Eigen values of $\begin{pmatrix} 4 & 1 & 0 \\ 1 & 2 & -1 \\ 3 & -1 & 1 \end{pmatrix}$ is

Options :

1. 16
2. 25
3. 36
4. 49

Question Number : 2 Question Id : 3909004202 Question Type : MCQ Option Shuffling : Yes Display Question Number : Yes
Single Line Question Option : No Option Orientation : Vertical

Correct Marks : 1 Wrong Marks : 0

If the system $x + y + 5z = 3$, $x - y + z = 1$, $x + y + z = k$ has unique solution, then k lies in the set

Options :

1. $\{1\}$
2. $\{2\}$
3. $\{3\}$
4. \mathbb{R}

Question Number : 3 Question Id : 3909004203 Question Type : MCQ Option Shuffling : Yes Display Question Number : Yes
Single Line Question Option : No Option Orientation : Vertical

Correct Marks : 1 Wrong Marks : 0

If $A = \begin{bmatrix} 1 & -5 & 8 \\ 1 & -2 & 1 \\ 2 & -1 & -5 \end{bmatrix}$, then $A^3 + 6A^2 =$

Options :

1. $5A$

2. 6A

3. 7A

4. 8A

Question Number : 4 Question Id : 3909004204 Question Type : MCQ Option Shuffling : Yes Display Question Number : Yes
Single Line Question Option : No Option Orientation : Vertical

Correct Marks : 1 Wrong Marks : 0

If $y = y(x)$ is the solution of $y'' - y = 0$, $y(0) = -1$, $y'(0) = 2$ then $2e^x y(x) =$

Options :

1. $e^{2x} - 3$ 2. $e^{2x} + 3$ 3. e^{2x} 4. $e^{2x} + 5$

Question Number : 5 Question Id : 3909004205 Question Type : MCQ Option Shuffling : Yes Display Question Number : Yes
Single Line Question Option : No Option Orientation : Vertical

Correct Marks : 1 Wrong Marks : 0

If $y_p(x)$ is a particular integral of $y'' - 4y = x - \sin x$, then $20 \times y_p(x) =$

Options :

1. $4\sin x + 5x$ 2. $4\sin x - 5x$ 3. $4\sin x + x$ 4. $4\sin x - 5$

Question Number : 6 Question Id : 3909004206 Question Type : MCQ Option Shuffling : Yes Display Question Number : Yes
Single Line Question Option : No Option Orientation : Vertical

Correct Marks : 1 Wrong Marks : 0

Residue of $\frac{\tan z}{z}$ at $z = 0$ is

Options :

1. 0
2. 1
3. -1
4. 2

Question Number : 7 Question Id : 3909004207 Question Type : MCQ Option Shuffling : Yes Display Question Number : Yes
Single Line Question Option : No Option Orientation : Vertical

Correct Marks : 1 Wrong Marks : 0

$$\frac{1}{2\pi i} \oint_{|z-1+i|=2} \frac{z+1}{z^2-3z} dz =$$

Options :

1. 1/3
2. -1/3
3. 1/2
4. -1/2

Question Number : 8 Question Id : 3909004208 Question Type : MCQ Option Shuffling : Yes Display Question Number : Yes
Single Line Question Option : No Option Orientation : Vertical

Correct Marks : 1 Wrong Marks : 0

$$\frac{1}{2\pi i} \oint_{|z|=1} \frac{\sin 2z}{z^3} dz =$$

Options :

1. -4/3
2. -8/3

3. $-\frac{16}{3}$

4. 0

Question Number : 9 Question Id : 3909004209 Question Type : MCQ Option Shuffling : Yes Display Question Number : Yes
Single Line Question Option : No Option Orientation : Vertical

Correct Marks : 1 Wrong Marks : 0

If X is a continuous random variable with probability density function $f(x)$ where

$$f(x) = \begin{cases} 2x & \text{if } x \in [0,1] \\ 0 & \text{otherwise} \end{cases} \text{ then variance of } X \text{ is}$$

Options :

1. $\frac{1}{8}$

2. $\frac{1}{4}$

3. $\frac{1}{18}$

4. $\frac{1}{9}$

Question Number : 10 Question Id : 3909004210 Question Type : MCQ Option Shuffling : Yes Display Question Number : Yes
Single Line Question Option : No Option Orientation : Vertical

Correct Marks : 1 Wrong Marks : 0

If X is uniformly distributed over (a, b) then the standard deviation of X is

Options :

1. $\frac{b-a}{2\sqrt{3}}$

2. $\frac{(b-a)^2}{12}$

3. $\frac{b-a}{\sqrt{3}}$

4. $\frac{b-a}{2}$

Section Id :	39090067
Section Number :	2
Section type :	Online
Mandatory or Optional:	Mandatory
Number of Questions:	110
Number of Questions to be attempted:	110
Section Marks:	110
Display Number Panel:	Yes
Group All Questions:	No

Sub-Section Number:	1
Sub-Section Id:	39090067
Question Shuffling Allowed :	Yes

Question Number : 11 Question Id : 3909004211 Question Type : MCQ Option Shuffling : Yes Display Question Number : Yes
Single Line Question Option : No Option Orientation : Vertical

Correct Marks : 1 Wrong Marks : 0

Source of Bioelectric potential is _____ in nature.

Options :

1. Electronic
2. Electric
3. Ionic
4. Mechanical

Question Number : 12 Question Id : 3909004212 Question Type : MCQ Option Shuffling : Yes Display Question Number : Yes
Single Line Question Option : No Option Orientation : Vertical

Correct Marks : 1 Wrong Marks : 0

After a cell is stimulated, a finite period of time is required for the cell to return to its pre-stimulus state. This period is known as _____

Options :

1. Restoration period
2. Refractory period
3. Regain period
4. Regenerative period

Question Number : 13 Question Id : 3909004213 Question Type : MCQ Option Shuffling : Yes Display Question Number : Yes
Single Line Question Option : No Option Orientation : Vertical

Correct Marks : 1 Wrong Marks : 0

Deep-seated electrodes indicates the electric potential difference arising _____ the living tissues or cells.

Options :

1. Inside
2. Outside
3. Around
4. Adjacent

Question Number : 14 Question Id : 3909004214 Question Type : MCQ Option Shuffling : Yes Display Question Number : Yes
Single Line Question Option : No Option Orientation : Vertical

Correct Marks : 1 Wrong Marks : 0

Silver -Silver Chloride electrodes are prepared by the process of _____

Options :

1. Centrifugation
2. Etching
3. Manually
4. Electrolysis

Question Number : 15 Question Id : 3909004215 Question Type : MCQ Option Shuffling : Yes Display Question Number : Yes
Single Line Question Option : No Option Orientation : Vertical

Correct Marks : 1 Wrong Marks : 0

The interior of the neuron is at a potential of about _____ mV relative to the exterior.

Options :

1. -70
2. +70
3. -170

4. +170

Question Number : 16 Question Id : 3909004216 Question Type : MCQ Option Shuffling : Yes Display Question Number : Yes
Single Line Question Option : No Option Orientation : Vertical

Correct Marks : 1 Wrong Marks : 0

Which of the following is considered to be the primary pacemaker of the heart?

Options :

1. Sino-atrial node
2. Atrio-ventricular node
3. Purkinje fibres
4. Bundle of his

Question Number : 17 Question Id : 3909004217 Question Type : MCQ Option Shuffling : Yes Display Question Number : Yes
Single Line Question Option : No Option Orientation : Vertical

Correct Marks : 1 Wrong Marks : 0

The main design feature of pregelled disposable electrodes which helps to reduce the possibility of artefacts, drift and baseline wandering is _____

Options :

1. Low absorbency buffer layer with isotonic electrolyte
2. High absorbency buffer layer with isotonic electrolyte
3. High absorbency buffer layer without isotonic electrolyte
4. Low absorbency buffer layer without isotonic electrolyte

Question Number : 18 Question Id : 3909004218 Question Type : MCQ Option Shuffling : Yes Display Question Number : Yes
Single Line Question Option : No Option Orientation : Vertical

Correct Marks : 1 Wrong Marks : 0

Which of the following is a wireless ECG acquiring system?

Options :

1. Pregelled disposable electrodes

2. Limb electrodes
3. Pasteless electrodes
4. Smart pad

Question Number : 19 Question Id : 3909004219 Question Type : MCQ Option Shuffling : Yes Display Question Number : Yes
Single Line Question Option : No Option Orientation : Vertical

Correct Marks : 1 Wrong Marks : 0

Which electrode can be used to pick up signals from individual fibers of muscle tissues?

Options :

1. Bipolar needle electrode
2. Concentric core needle electrode
3. Multi-element needle electrode
4. Monopolar needle electrode

Question Number : 20 Question Id : 3909004220 Question Type : MCQ Option Shuffling : Yes Display Question Number : Yes
Single Line Question Option : No Option Orientation : Vertical

Correct Marks : 1 Wrong Marks : 0

In voluntary contraction of the skeletal muscles, the muscle potential ranges from

Options :

1. $50 \mu\text{V} - 5 \text{ mV}$
2. $50 \text{ mV} - 5 \text{ V}$
3. $0.05 \mu\text{V} - 2 \text{ mV}$
4. $50 \text{ mV} - 500 \text{ mV}$

Question Number : 21 Question Id : 3909004221 Question Type : MCQ Option Shuffling : Yes Display Question Number : Yes
Single Line Question Option : No Option Orientation : Vertical

Correct Marks : 1 Wrong Marks : 0

Ventricular Fibrillation is detected by _____

Options :

1. Shape of the QRS complexes
2. Difference of the R-R interval
3. Timing sequence of QRS complexes
4. Frequency domain analysis

Question Number : 22 Question Id : 3909004222 Question Type : MCQ Option Shuffling : Yes Display Question Number : Yes
Single Line Question Option : No Option Orientation : Vertical

Correct Marks : 1 Wrong Marks : 0

Which of the following instrument is used to measure oxygen saturation level of blood in localized areas of oxygen?

Options :

1. Ear Oximeter
2. Pulse Oximeter
3. Skin Reflectance Oximeter
4. Intravascular Oximeter

Question Number : 23 Question Id : 3909004223 Question Type : MCQ Option Shuffling : Yes Display Question Number : Yes
Single Line Question Option : No Option Orientation : Vertical

Correct Marks : 1 Wrong Marks : 0

_____ method is based on the absorption of electromagnetic radiation in the visible, ultraviolet and infrared ranges.

Options :

1. Cardiotocography
2. Ultrasonic therapy
3. Spectrophotometry

Diathermy

4.

Question Number : 24 Question Id : 3909004224 Question Type : MCQ Option Shuffling : Yes Display Question Number : Yes
Single Line Question Option : No Option Orientation : Vertical

Correct Marks : 1 Wrong Marks : 0

Speech audiometry normally allows measurements to be made within the frequency range of _____

Options :

1. 300–3000 Hz
2. 30–300 Hz
3. 300–3000 KHz
4. 3–30 KHz

Question Number : 25 Question Id : 3909004225 Question Type : MCQ Option Shuffling : Yes Display Question Number : Yes
Single Line Question Option : No Option Orientation : Vertical

Correct Marks : 1 Wrong Marks : 0

The blood pressure within the glomerular capillaries is _____ of mercury.

Options :

1. 80 mm
2. 70-80 mm
3. 90 mm
4. 70-90 mm

Question Number : 26 Question Id : 3909004226 Question Type : MCQ Option Shuffling : Yes Display Question Number : Yes
Single Line Question Option : No Option Orientation : Vertical

Correct Marks : 1 Wrong Marks : 0

MRI has a high _____ resolution.

Options :

1. spatial
2. temporal

3. frequency

4. magnitude

Question Number : 27 Question Id : 3909004227 Question Type : MCQ Option Shuffling : Yes Display Question Number : Yes
Single Line Question Option : No Option Orientation : Vertical

Correct Marks : 1 Wrong Marks : 0

The X-Ray is recorded on a plate coated with _____

Options :

1. Gold Halide

2. Silver Halide

3. Copper Halide

4. Iron Halide

Question Number : 28 Question Id : 3909004228 Question Type : MCQ Option Shuffling : Yes Display Question Number : Yes
Single Line Question Option : No Option Orientation : Vertical

Correct Marks : 1 Wrong Marks : 0

Which of the following agents should not be used as an agent for fluoroscopy?

Options :

1. Silver

2. Bismuth

3. Thoria

4. Tungsten

Question Number : 29 Question Id : 3909004229 Question Type : MCQ Option Shuffling : Yes Display Question Number : Yes
Single Line Question Option : No Option Orientation : Vertical

Correct Marks : 1 Wrong Marks : 0

What makes PET and SPECT so unique when it comes to nuclear imaging?

Options :

1. Do not require dyes
2. Do not require X – Rays
3. They show the metabolic functions
4. They give more details about the imaged organ/tissue

Question Number : 30 Question Id : 3909004230 Question Type : MCQ Option Shuffling : Yes Display Question Number : Yes
Single Line Question Option : No Option Orientation : Vertical

Correct Marks : 1 Wrong Marks : 0

Which of the following radiations are used for imaging purposes?

Options :

1. Alpha
2. Beta
3. Gamma
4. Delta

Question Number : 31 Question Id : 3909004231 Question Type : MCQ Option Shuffling : Yes Display Question Number : Yes
Single Line Question Option : No Option Orientation : Vertical

Correct Marks : 1 Wrong Marks : 0

The current generation CT scanner use _____ for scanning

Options :

1. Pencil beam and stationary detectors
2. Pencil beam and rotating detectors
3. Fan beam and detectors
4. Electron beam and detectors

Question Number : 32 Question Id : 3909004232 Question Type : MCQ Option Shuffling : Yes Display Question Number : Yes
Single Line Question Option : No Option Orientation : Vertical

Correct Marks : 1 Wrong Marks : 0

What surgical functions are performed by the diathermy machine?

Options :

1. Cutting, coagulation, fulguration
2. Cutting, fulguration
3. Cutting, coagulation
4. Coagulation, fulguration

Question Number : 33 Question Id : 3909004233 Question Type : MCQ Option Shuffling : Yes Display Question Number : Yes
Single Line Question Option : No Option Orientation : Vertical

Correct Marks : 1 Wrong Marks : 0

The principle behind dialysis is _____

Options :

1. Adhesion
2. Cohesion
3. Capillary Action
4. Reverse – Osmosis

Question Number : 34 Question Id : 3909004234 Question Type : MCQ Option Shuffling : Yes Display Question Number : Yes
Single Line Question Option : No Option Orientation : Vertical

Correct Marks : 1 Wrong Marks : 0

Extraction of a small piece of the diseased organ is called _____

Options :

1. Biopsy
2. Surgery
3. Chemotherapy
4. Replacement

Question Number : 35 Question Id : 3909004235 Question Type : MCQ Option Shuffling : Yes Display Question Number : Yes
Single Line Question Option : No Option Orientation : Vertical

Correct Marks : 1 Wrong Marks : 0

Which instrument is used to listen to the Korotkoff sounds?

Options :

1. Stethoscope
2. Pneumo tachometer
3. Piezoelectric Microphone
4. Sphygmomanometer

Question Number : 36 Question Id : 3909004236 Question Type : MCQ Option Shuffling : Yes Display Question Number : Yes
Single Line Question Option : No Option Orientation : Vertical

Correct Marks : 1 Wrong Marks : 0

The frequency of the waves acquired when the person is in an alert and wakeful state is

Options :

1. 4 – 8 Hz
2. 8 – 13 Hz
3. 13 – 30 Hz
4. > 30 Hz

Question Number : 37 Question Id : 3909004237 Question Type : MCQ Option Shuffling : Yes Display Question Number : Yes
Single Line Question Option : No Option Orientation : Vertical

Correct Marks : 1 Wrong Marks : 0

The electrode gel is used to _____

Options :

1. Reduce skin resistance
2. Increase skin resistance

3. Moisturize the skin
4. Cause skin flaking

Question Number : 38 Question Id : 3909004238 Question Type : MCQ Option Shuffling : Yes Display Question Number : Yes
Single Line Question Option : No Option Orientation : Vertical

Correct Marks : 1 Wrong Marks : 0

Medical grade steel for stent making is _____

Options :

1. Austenitic
2. Ferritic
3. Martensitic
4. Duplex

Question Number : 39 Question Id : 3909004239 Question Type : MCQ Option Shuffling : Yes Display Question Number : Yes
Single Line Question Option : No Option Orientation : Vertical

Correct Marks : 1 Wrong Marks : 0

What is the function of a nebulizer?

Options :

1. To supply moisture in the form of droplets
2. To maintain temperature
3. To maintain the gas levels of individual gases
4. To check the safety of valves

Question Number : 40 Question Id : 3909004240 Question Type : MCQ Option Shuffling : Yes Display Question Number : Yes
Single Line Question Option : No Option Orientation : Vertical

Correct Marks : 1 Wrong Marks : 0

The lubricating fluid of the joints

Options :

1. Keloid

2. Synovial
3. Fascia
4. Ecchymosis

Question Number : 41 Question Id : 3909004241 Question Type : MCQ Option Shuffling : Yes Display Question Number : Yes
Single Line Question Option : No Option Orientation : Vertical

Correct Marks : 1 Wrong Marks : 0

The early effect in a bipolar function transistor is caused by

Options :

1. Fast turn – on
2. Fast turn – off
3. Large collector – base reverse bias
4. Large emitter base forward bias

Question Number : 42 Question Id : 3909004242 Question Type : MCQ Option Shuffling : Yes Display Question Number : Yes
Single Line Question Option : No Option Orientation : Vertical

Correct Marks : 1 Wrong Marks : 0

MOSFET can be used as a

Options :

1. Current controlled capacitor
2. Voltage controlled capacitor
3. Current controlled inductor
4. Voltage controlled inductor

Question Number : 43 Question Id : 3909004243 Question Type : MCQ Option Shuffling : Yes Display Question Number : Yes
Single Line Question Option : No Option Orientation : Vertical

Correct Marks : 1 Wrong Marks : 0

Negative feedback in an amplifier

Options :

1. Reduces gain
2. Increases frequency and phase distortions
3. Reduces bandwidth
4. Increases noise

Question Number : 44 Question Id : 3909004244 Question Type : MCQ Option Shuffling : Yes Display Question Number : Yes
Single Line Question Option : No Option Orientation : Vertical

Correct Marks : 1 Wrong Marks : 0

The coupling capacitor in a multistage amplifier

Options :

1. Limits the low frequency response
2. Limits the high frequency response
3. Does not affect the frequency response
4. Block the dc. component without affecting the frequency response

Question Number : 45 Question Id : 3909004245 Question Type : MCQ Option Shuffling : Yes Display Question Number : Yes
Single Line Question Option : No Option Orientation : Vertical

Correct Marks : 1 Wrong Marks : 0

If the differential voltage gain and the common mode gain of a differential amplifier are 48 dB and 2dB respectively, then its common mode rejection ratio is

Options :

1. 23 dB
2. 25 dB
3. 46 dB
4. 50 dB

Question Number : 46 Question Id : 3909004246 Question Type : MCQ Option Shuffling : Yes Display Question Number : Yes
Single Line Question Option : No Option Orientation : Vertical

Correct Marks : 1 Wrong Marks : 0

In a negative feedback amplifier using Voltage – series (i.e. voltage – sampling, series mixing) feedback.

Options :

1. R_i decreases and R_o decreases
2. R_i decreases and R_o increases
3. R_i increases and R_o decreases
4. R_i increases and R_o increases

Question Number : 47 Question Id : 3909004247 Question Type : MCQ Option Shuffling : Yes Display Question Number : Yes
Single Line Question Option : No Option Orientation : Vertical

Correct Marks : 1 Wrong Marks : 0

The resolution of a 4- bit counting ADC is 0.5 Volts. For an analog input of 6.6 Volts, the digital output of the ADC will be

Options :

1. 1011
2. 1010
3. 1100
4. 1110

Question Number : 48 Question Id : 3909004248 Question Type : MCQ Option Shuffling : Yes Display Question Number : Yes
Single Line Question Option : No Option Orientation : Vertical

Correct Marks : 1 Wrong Marks : 0

An 8 bit successive approximation analog to digital converter has full scale reading to digital converter of 2.55 V and its conversion time for an analog input of 1V is 20 μ s. The conversion time for a 2 V input will be

Options :

1. 10 μ s

2. $20 \mu s$ 3. $40 \mu s$ 4. $50 \mu s$

Question Number : 49 Question Id : 3909004249 Question Type : MCQ Option Shuffling : Yes Display Question Number : Yes
Single Line Question Option : No Option Orientation : Vertical

Correct Marks : 1 Wrong Marks : 0

The minimum number of 2- to -1 multiplexers required to realize a 4-to-1 multiplexer is

Options :

1. 1

2. 2

3. 3

4. 4

Question Number : 50 Question Id : 3909004250 Question Type : MCQ Option Shuffling : Yes Display Question Number : Yes
Single Line Question Option : No Option Orientation : Vertical

Correct Marks : 1 Wrong Marks : 0

A master – slave flip-flop has the characteristic that

Options :

1. Change in the input immediately reflected in the output

2. Change in the output occurs when the state of the master is affected

3. Change in the output occurs when the state of the slave is affected

4. Both the master and the slave states are affected at the same time

Question Number : 51 Question Id : 3909004251 Question Type : MCQ Option Shuffling : Yes Display Question Number : Yes
Single Line Question Option : No Option Orientation : Vertical

Correct Marks : 1 Wrong Marks : 0

The logical expression $y = A + \bar{A}B$ is equivalent to

Options :

1. $y = AB$

2. $y = \bar{A}B$

3. $y = \bar{A} + B$

4. $y = A + B$

Question Number : 52 Question Id : 3909004252 Question Type : MCQ Option Shuffling : Yes Display Question Number : Yes
Single Line Question Option : No Option Orientation : Vertical

Correct Marks : 1 Wrong Marks : 0

A 4 bit ripple counter and a 4 bit synchronous counter are made using flip flops having a propagation delay of 10 ns each. If the worst case delay in the ripple counter and the synchronous counter be R and S respectively, then

Options :

1. $R = 10 \text{ ns}, S = 40 \text{ ns}$

2. $R = 40 \text{ ns}, S = 10 \text{ ns}$

3. $R = 10 \text{ ns}, S = 30 \text{ ns}$

4. $R = 30 \text{ ns}, S = 10 \text{ ns}$

Question Number : 53 Question Id : 3909004253 Question Type : MCQ Option Shuffling : Yes Display Question Number : Yes
Single Line Question Option : No Option Orientation : Vertical

Correct Marks : 1 Wrong Marks : 0

The number of hardware interrupts (which require an external signal to interrupt) present in an 8085 microprocessor are

Options :

1. 1

2. 4

3. 5

4. 13

Question Number : 54 Question Id : 3909004254 Question Type : MCQ Option Shuffling : Yes Display Question Number : Yes
Single Line Question Option : No Option Orientation : Vertical

Correct Marks : 1 Wrong Marks : 0

A microcontroller at-least should consist of:

Options :

1. RAM, ROM, I/O devices, serial and parallel ports and timers
2. CPU, RAM, I/O devices, serial and parallel ports and timers
3. CPU, RAM, ROM, I/O devices, serial and parallel ports and timers
4. CPU, ROM, I/O devices and timers

Question Number : 55 Question Id : 3909004255 Question Type : MCQ Option Shuffling : Yes Display Question Number : Yes
Single Line Question Option : No Option Orientation : Vertical

Correct Marks : 1 Wrong Marks : 0

When the microcontroller executes some arithmetic operations, then the flag bits of which register are affected?

Options :

1. PSW
2. SP
3. DPTR
4. PC

Question Number : 56 Question Id : 3909004256 Question Type : MCQ Option Shuffling : Yes Display Question Number : Yes
Single Line Question Option : No Option Orientation : Vertical

Correct Marks : 1 Wrong Marks : 0

A system with an input $x(t)$ and output $y(t)$ is described by the relation:
 $y(t) = tx(t)$. This system is

Options :

1. Linear and time – invariant

2. Linear and time varying
3. Non – linear & time – invariant
4. Non – linear and time - varying

Question Number : 57 Question Id : 3909004257 Question Type : MCQ Option Shuffling : Yes Display Question Number : Yes
Single Line Question Option : No Option Orientation : Vertical

Correct Marks : 1 Wrong Marks : 0

The trigonometric Fourier series of an even function does not have the

Options :

1. Dc term
2. Cosine terms
3. Sine terms
4. Odd harmonic terms

Question Number : 58 Question Id : 3909004258 Question Type : MCQ Option Shuffling : Yes Display Question Number : Yes
Single Line Question Option : No Option Orientation : Vertical

Correct Marks : 1 Wrong Marks : 0

A system is defined by its impulse response $h(n) = 2^n u(n - 2)$. the system is

Options :

1. Stable and casual
2. Causal but not stable
3. Stable but not casual
4. Unstable and non casual

Question Number : 59 Question Id : 3909004259 Question Type : MCQ Option Shuffling : Yes Display Question Number : Yes
Single Line Question Option : No Option Orientation : Vertical

Correct Marks : 1 Wrong Marks : 0

A stable circuit acts as a/an

Options :

1. Amplifier
2. Oscillator
3. Relaxation oscillator
4. Multiplexer

Question Number : 60 Question Id : 3909004260 Question Type : MCQ Option Shuffling : Yes Display Question Number : Yes
Single Line Question Option : No Option Orientation : Vertical

Correct Marks : 1 Wrong Marks : 0

The output of oscillator will not depend upon

Options :

1. Feedback
2. Amplifier
3. Both feedback and amplifier
4. Input voltage

Question Number : 61 Question Id : 3909004261 Question Type : MCQ Option Shuffling : Yes Display Question Number : Yes
Single Line Question Option : No Option Orientation : Vertical

Correct Marks : 1 Wrong Marks : 0

Transistor in power amplifier is

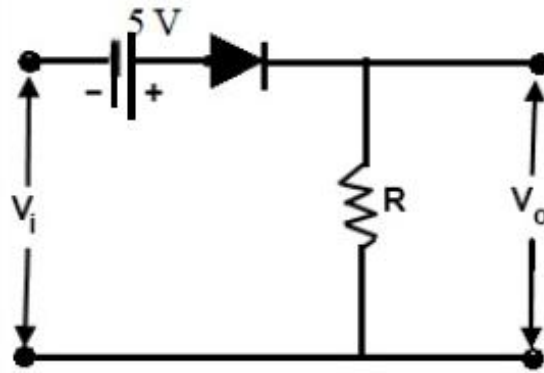
Options :

1. An active device
2. A passive device
3. An op-amp
4. A voltage generating device

Question Number : 62 Question Id : 3909004262 Question Type : MCQ Option Shuffling : Yes Display Question Number : Yes
Single Line Question Option : No Option Orientation : Vertical

Correct Marks : 1 Wrong Marks : 0

What is the circuit in the given diagram called?



Options :

1. Clipper
2. Clamper
3. Half Wave Rectifier
4. Full Wave Rectifier

Question Number : 63 Question Id : 3909004263 Question Type : MCQ Option Shuffling : Yes Display Question Number : Yes
Single Line Question Option : No Option Orientation : Vertical

Correct Marks : 1 Wrong Marks : 0

Which of the following oscillator cannot be used in low frequency oscillations?

Options :

1. Wein bridge oscillators
2. RC phase shift oscillators
3. Colpitts oscillators
4. RC oscillators

Question Number : 64 Question Id : 3909004264 Question Type : MCQ Option Shuffling : Yes Display Question Number : Yes
Single Line Question Option : No Option Orientation : Vertical

Correct Marks : 1 Wrong Marks : 0

Discrete time signal is derived from continuous time signal by _____ process.

Options :

1. Addition
2. Multiplying
3. Sampling
4. Addition and multiplication

Question Number : 65 Question Id : 3909004265 Question Type : MCQ Option Shuffling : Yes Display Question Number : Yes
Single Line Question Option : No Option Orientation : Vertical

Correct Marks : 1 Wrong Marks : 0

Noise generated by an amplifier of radio is an example for?

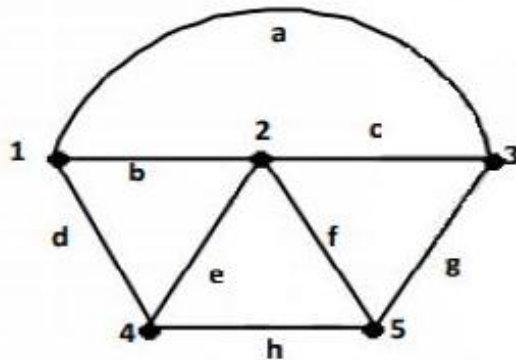
Options :

1. Discrete signal
2. Deterministic signal
3. Random signal
4. Periodic signal

Question Number : 66 Question Id : 3909004266 Question Type : MCQ Option Shuffling : Yes Display Question Number : Yes
Single Line Question Option : No Option Orientation : Vertical

Correct Marks : 1 Wrong Marks : 0

Identify which of the following is NOT a tree of the graph shown in the fig.



Options :

1. begh
2. defg

3. adhg

4. aegh

Question Number : 67 Question Id : 3909004267 Question Type : MCQ Option Shuffling : Yes Display Question Number : Yes
Single Line Question Option : No Option Orientation : Vertical

Correct Marks : 1 Wrong Marks : 0

A source of angular frequency 1 rad/sec has source impedance consisting of 1Ω resistance in series with 1 H inductance. The load that will obtain the maximum power transfer is

Options :

1. 1Ω resistance
2. 1Ω resistance in parallel with 1 H inductance
3. 1Ω resistance in series with 1F capacitor
4. 1Ω resistance in parallel with 1 F capacitor

Question Number : 68 Question Id : 3909004268 Question Type : MCQ Option Shuffling : Yes Display Question Number : Yes
Single Line Question Option : No Option Orientation : Vertical

Correct Marks : 1 Wrong Marks : 0

In a series RLC circuit, $R = 2\text{ k}\Omega$, $L = 1\text{ H}$, and $C = 1/400\ \mu\text{F}$. The resonant frequency is

Options :

1. $2 \times 10^4\text{ Hz}$
2. $(1/\pi) \times 10^4\text{ Hz}$
3. 10^4 Hz
4. $2\pi \times 10^4\text{ Hz}$

Question Number : 69 Question Id : 3909004269 Question Type : MCQ Option Shuffling : Yes Display Question Number : Yes
Single Line Question Option : No Option Orientation : Vertical

Correct Marks : 1 Wrong Marks : 0

If each branch of a delta circuit has impedance $\sqrt{3}Z$, then each branch of the equivalent Wye circuit has impedance

Options :

1. $\frac{Z}{\sqrt{3}}$
2. $3Z$
3. $3\sqrt{3}Z$
4. $\frac{Z}{3}$

Question Number : 70 Question Id : 3909004270 Question Type : MCQ Option Shuffling : Yes Display Question Number : Yes
Single Line Question Option : No Option Orientation : Vertical

Correct Marks : 1 Wrong Marks : 0

Thevenin's voltage is equal to the _____ voltage across the _____ terminals.

Options :

1. Short circuit, input
2. Short circuit, output
3. Open circuit, output
4. Open circuit, input

Question Number : 71 Question Id : 3909004271 Question Type : MCQ Option Shuffling : Yes Display Question Number : Yes
Single Line Question Option : No Option Orientation : Vertical

Correct Marks : 1 Wrong Marks : 0

If the source impedance is complex, then the condition for maximum power transfer is?

Options :

1. $Z_L = Z_S$

2. $Z_L = Z_S^*$

3. $Z_L = -Z_S$

4. $Z_L = -Z_S^*$

Question Number : 72 Question Id : 3909004272 Question Type : MCQ Option Shuffling : Yes Display Question Number : Yes
Single Line Question Option : No Option Orientation : Vertical

Correct Marks : 1 Wrong Marks : 0

If the value of Q of the circuit is high, then its effect on bandwidth is?

Options :

1. Large bandwidth

2. Small bandwidth

3. No effect on bandwidth

4. First increases and then decreases

Question Number : 73 Question Id : 3909004273 Question Type : MCQ Option Shuffling : Yes Display Question Number : Yes
Single Line Question Option : No Option Orientation : Vertical

Correct Marks : 1 Wrong Marks : 0

In determining open circuit impedance parameters, among V_1 , V_2 , I_1 , I_2 , which of the following are dependent variables?

Options :

1. V_1 and V_2

2. I_1 and I_2

3. V_1 and I_2

4. I_1 and V_2

Question Number : 74 Question Id : 3909004274 Question Type : MCQ Option Shuffling : Yes Display Question Number : Yes
Single Line Question Option : No Option Orientation : Vertical

Correct Marks : 1 Wrong Marks : 0

In a current-voltage relationship graph of a linear resistor, the slope of the graph will indicate

Options :

1. Conductance
2. Resistance
3. Resistivity
4. A constant

Question Number : 75 Question Id : 3909004275 Question Type : MCQ Option Shuffling : Yes Display Question Number : Yes
Single Line Question Option : No Option Orientation : Vertical

Correct Marks : 1 Wrong Marks : 0

If power factor = 0, then the current to a load is _____ with the voltage.

Options :

1. In phase
2. Out of phase
3. 45° out of phase
4. 90° out of phase

Question Number : 76 Question Id : 3909004276 Question Type : MCQ Option Shuffling : Yes Display Question Number : Yes
Single Line Question Option : No Option Orientation : Vertical

Correct Marks : 1 Wrong Marks : 0

In case of ideal current sources, they have

Options :

1. Zero internal resistance
2. Low value of voltage

3. Large value of current
4. Infinite internal resistance

Question Number : 77 Question Id : 3909004277 Question Type : MCQ Option Shuffling : Yes Display Question Number : Yes
Single Line Question Option : No Option Orientation : Vertical

Correct Marks : 1 Wrong Marks : 0

If the roots of an equation are complex conjugate in RLC circuit, then the response will be?

Options :

1. Over damped
2. Critically damped
3. Damped
4. Under damped

Question Number : 78 Question Id : 3909004278 Question Type : MCQ Option Shuffling : Yes Display Question Number : Yes
Single Line Question Option : No Option Orientation : Vertical

Correct Marks : 1 Wrong Marks : 0

A transformer cannot work on the DC supply because _____

Options :

1. There is no need to change the DC voltage
2. A DC circuit has more losses

Faraday's laws of electromagnetic induction are not valid since the rate of change of flux is zero

3. Cannot be determined

Question Number : 79 Question Id : 3909004279 Question Type : MCQ Option Shuffling : Yes Display Question Number : Yes
Single Line Question Option : No Option Orientation : Vertical

Correct Marks : 1 Wrong Marks : 0

In a transformer the resistance between its primary and secondary is _____

Options :

1. Zero
2. Very small
3. Cannot be predicted
4. Infinite

Question Number : 80 Question Id : 3909004280 Question Type : MCQ Option Shuffling : Yes Display Question Number : Yes
Single Line Question Option : No Option Orientation : Vertical

Correct Marks : 1 Wrong Marks : 0

A good voltage regulation of a transformer indicates _____

Options :

1. Output voltage fluctuation from no load to full load is least
2. Output voltage fluctuation with power factor is least
3. Difference between primary and secondary voltage is least
4. Difference between primary and secondary voltage is maximum

Question Number : 81 Question Id : 3909004281 Question Type : MCQ Option Shuffling : Yes Display Question Number : Yes
Single Line Question Option : No Option Orientation : Vertical

Correct Marks : 1 Wrong Marks : 0

The speed of a DC shunt motor can be increased by _____

Options :

1. Increasing the resistance in armature circuit
2. Increasing the resistance in field circuit
3. Reducing the resistance in the field circuit
4. Reducing the resistance in the armature circuit

Question Number : 82 Question Id : 3909004282 Question Type : MCQ Option Shuffling : Yes Display Question Number : Yes
Single Line Question Option : No Option Orientation : Vertical

Correct Marks : 1 Wrong Marks : 0

If the speed of a DC shunt motor is increased, the back emf of the motor will

Options :

1. Increase
2. Decrease
3. Remain same
4. Become zero

Question Number : 83 Question Id : 3909004283 Question Type : MCQ Option Shuffling : Yes Display Question Number : Yes
Single Line Question Option : No Option Orientation : Vertical

Correct Marks : 1 Wrong Marks : 0

According to Nyquist stability criterion, where should be the position of all zeros of $q(s)$ corresponding to s -plane?

Options :

1. On left half
2. At the center
3. On right half
4. Random

Question Number : 84 Question Id : 3909004284 Question Type : MCQ Option Shuffling : Yes Display Question Number : Yes
Single Line Question Option : No Option Orientation : Vertical

Correct Marks : 1 Wrong Marks : 0

Consider a feedback system with gain margin of about 30. At what point does Nyquist plot crosses negative real axis?

Options :

1. -3
2. -0.3

3. -30

4. -0.03

Question Number : 85 Question Id : 3909004285 Question Type : MCQ Option Shuffling : Yes Display Question Number : Yes
Single Line Question Option : No Option Orientation : Vertical

Correct Marks : 1 Wrong Marks : 0

As the polar plot moves toward the point $(-1, 0)$ then the system becomes:

Options :

1. Stable

2. Marginally stable

3. Conditionally stable

4. Unstable

Question Number : 86 Question Id : 3909004286 Question Type : MCQ Option Shuffling : Yes Display Question Number : Yes
Single Line Question Option : No Option Orientation : Vertical

Correct Marks : 1 Wrong Marks : 0

_____ refers to the degree of repeatability of a measurant.

Options :

1. Accuracy

2. Precision

3. Resolution

4. Sensitivity

Question Number : 87 Question Id : 3909004287 Question Type : MCQ Option Shuffling : Yes Display Question Number : Yes
Single Line Question Option : No Option Orientation : Vertical

Correct Marks : 1 Wrong Marks : 0

Routh Hurwitz criterion gives:

Options :

1. Number of roots in the right half of the s-plane

2. Value of the roots
3. Number of roots in the left half of the s-plane
4. Number of roots in the top half of the s-plane

Question Number : 88 Question Id : 3909004288 Question Type : MCQ Option Shuffling : Yes Display Question Number : Yes
Single Line Question Option : No Option Orientation : Vertical

Correct Marks : 1 Wrong Marks : 0

Which one of the following is the correct statement? The region of convergence of z-transform of $x[n]$ consists of the values of z for which $x[n]$ are:

Options :

1. Absolutely integrable
2. Absolutely summable
3. Unity
4. <1

Question Number : 89 Question Id : 3909004289 Question Type : MCQ Option Shuffling : Yes Display Question Number : Yes
Single Line Question Option : No Option Orientation : Vertical

Correct Marks : 1 Wrong Marks : 0

While increasing the value of gain K , the system becomes

Options :

1. Less stable
2. More stable
3. Unstable
4. Absolute stable

Question Number : 90 Question Id : 3909004290 Question Type : MCQ Option Shuffling : Yes Display Question Number : Yes
Single Line Question Option : No Option Orientation : Vertical

Correct Marks : 1 Wrong Marks : 0

For a stable closed loop system, the gain at phase crossover frequency should always be:

Options :

1. < 20 dB
2. < 6 dB
3. > 6 dB
4. > 0 dB

Question Number : 91 Question Id : 3909004291 Question Type : MCQ Option Shuffling : Yes Display Question Number : Yes
Single Line Question Option : No Option Orientation : Vertical

Correct Marks : 1 Wrong Marks : 0

The closed system has higher _____ than open loop control system, this implies increased speed of response.

Options :

1. Gain
2. Bandwidth
3. Frequency
4. Speed

Question Number : 92 Question Id : 3909004292 Question Type : MCQ Option Shuffling : Yes Display Question Number : Yes
Single Line Question Option : No Option Orientation : Vertical

Correct Marks : 1 Wrong Marks : 0

At null position, galvanometer reading will be _____

Options :

1. Positive maximum
2. Zero
3. Unchanged for further reading
4. Negative maximum

Question Number : 93 Question Id : 3909004293 Question Type : MCQ Option Shuffling : Yes Display Question Number : Yes
Single Line Question Option : No Option Orientation : Vertical

Correct Marks : 1 Wrong Marks : 0

The bridge method commonly used for finding mutual Inductance is:

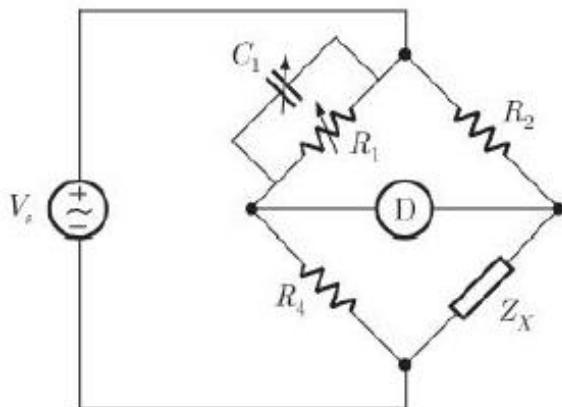
Options :

1. Heaviside Campbell bridge
2. Schering bridge
3. De Sauty bridge
4. Wien bridge

Question Number : 94 Question Id : 3909004294 Question Type : MCQ Option Shuffling : Yes Display Question Number : Yes
Single Line Question Option : No Option Orientation : Vertical

Correct Marks : 1 Wrong Marks : 0

The bridge circuit shown in the figure below is used for the measurement of an unknown element Z_x . The bridge circuit is best suited when Z_x is a



Options :

1. Low resistance
2. High resistance
3. Low Q inductor
4. Lossy capacitor

Question Number : 95 Question Id : 3909004295 Question Type : MCQ Option Shuffling : Yes Display Question Number : Yes
Single Line Question Option : No Option Orientation : Vertical

Correct Marks : 1 Wrong Marks : 0

An ammeter has a current range of 0-5 A, and its internal resistance is 0.2Ω . In order to change the range to 0-25 A, we need to add a resistance of

Options :

1. 0.8Ω in series with the meter
2. 1.0Ω in series with the meter
3. 0.04Ω in parallel with the meter
4. 0.05Ω in parallel with the meter

Question Number : 96 Question Id : 3909004296 Question Type : MCQ Option Shuffling : Yes Display Question Number : Yes
Single Line Question Option : No Option Orientation : Vertical
Correct Marks : 1 Wrong Marks : 0

The pressure coil of a dynamometer type wattmeter is

Options :

1. Highly inductive
2. Highly resistive
3. Purely resistive
4. Purely inductive

Question Number : 97 Question Id : 3909004297 Question Type : MCQ Option Shuffling : Yes Display Question Number : Yes
Single Line Question Option : No Option Orientation : Vertical
Correct Marks : 1 Wrong Marks : 0

The Q-meter works on the principle of

Options :

1. Mutual inductance
2. Self inductance
3. Series resonance

4. Parallel resonance

Question Number : 98 Question Id : 3909004298 Question Type : MCQ Option Shuffling : Yes Display Question Number : Yes
Single Line Question Option : No Option Orientation : Vertical

Correct Marks : 1 Wrong Marks : 0

A dc potentiometer is designed to measure up to about 2 V with a slide wire of 800 mm. A standard cell of emf 1.18 V obtains balance at 600 mm. A test cell is seen to obtain balance at 680 mm. The emf of the test cell is

Options :

1. 1.00 V
2. 1.34 V
3. 1.50 V
4. 1.70 V

Question Number : 99 Question Id : 3909004299 Question Type : MCQ Option Shuffling : Yes Display Question Number : Yes
Single Line Question Option : No Option Orientation : Vertical

Correct Marks : 1 Wrong Marks : 0

The minimum number of wattmeter(s) required to measure 3-phase, 2-wire balanced or unbalanced power is

Options :

1. 1
2. 2
3. 3
4. 4

Question Number : 100 Question Id : 3909004300 Question Type : MCQ Option Shuffling : Yes Display Question Number : Yes
Single Line Question Option : No Option Orientation : Vertical

Correct Marks : 1 Wrong Marks : 0

Which of the following is an analog transducer?

Options :

1. Encoders

2. Strain gauge
3. Digital tachometers
4. Limit switches

Question Number : 101 Question Id : 3909004301 Question Type : MCQ Option Shuffling : Yes Display Question Number : Yes
Single Line Question Option : No Option Orientation : Vertical

Correct Marks : 1 Wrong Marks : 0

Which of the following is true for bimetallic type thermometer?

Options :

1. Two same dimension metals have same temperature coefficients
2. Two different metals have different temperature coefficients
3. One metal is cooled always
4. Two different dimension metals have same temperature coefficients

Question Number : 102 Question Id : 3909004302 Question Type : MCQ Option Shuffling : Yes Display Question Number : Yes
Single Line Question Option : No Option Orientation : Vertical

Correct Marks : 1 Wrong Marks : 0

Heat transfer coefficient of a material with length 'L' is

Options :

1. K/L
2. L/K
3. $1/K$
4. KL

Question Number : 103 Question Id : 3909004303 Question Type : MCQ Option Shuffling : Yes Display Question Number : Yes
Single Line Question Option : No Option Orientation : Vertical

Correct Marks : 1 Wrong Marks : 0

In photo emissive transducers, electrons are attracted by _____

Options :

1. Cathode
2. Anode
3. Grid
4. Body

Question Number : 104 Question Id : 3909004304 Question Type : MCQ Option Shuffling : Yes Display Question Number : Yes
Single Line Question Option : No Option Orientation : Vertical
Correct Marks : 1 Wrong Marks : 0

In a three phase AC circuit, the sum of all three generated voltages is _____

Options :

1. Infinite
2. Zero
3. One
4. Sixty

Question Number : 105 Question Id : 3909004305 Question Type : MCQ Option Shuffling : Yes Display Question Number : Yes
Single Line Question Option : No Option Orientation : Vertical
Correct Marks : 1 Wrong Marks : 0

Average power is _____

Options :

1. Product of voltage and current
2. Product of average current and voltage
3. Product of instantaneous voltage and current
4. Product of absolute voltage and current

Question Number : 106 Question Id : 3909004306 Question Type : MCQ Option Shuffling : Yes Display Question Number : Yes
Single Line Question Option : No Option Orientation : Vertical
Correct Marks : 1 Wrong Marks : 0

How is thermal emf generated?

Options :

1. When current flows
2. When voltage is applied
3. When the null detector is connected
4. When dissimilar metals come in contact

Question Number : 107 Question Id : 3909004307 Question Type : MCQ Option Shuffling : Yes Display Question Number : Yes
Single Line Question Option : No Option Orientation : Vertical

Correct Marks : 1 Wrong Marks : 0

Transducer is used to convert a _____

Options :

1. Physical quantity into an electrical signal
2. Electrical signal into a physical quantity
3. Physical quantity into a mechanical quantity
4. Physical quantity into a chemical quantity

Question Number : 108 Question Id : 3909004308 Question Type : MCQ Option Shuffling : Yes Display Question Number : Yes
Single Line Question Option : No Option Orientation : Vertical

Correct Marks : 1 Wrong Marks : 0

Emitter follower is used for _____ input impedance

Options :

1. Zero
2. Low
3. High
4. Very low

Question Number : 109 Question Id : 3909004309 Question Type : MCQ Option Shuffling : Yes Display Question Number : Yes
Single Line Question Option : No Option Orientation : Vertical

Correct Marks : 1 Wrong Marks : 0

Digital voltmeters converts _____

Options :

1. Analog to digital signal
2. Digital to analog signal
3. Current to voltage
4. Resistance to voltage

Question Number : 110 Question Id : 3909004310 Question Type : MCQ Option Shuffling : Yes Display Question Number : Yes
Single Line Question Option : No Option Orientation : Vertical

Correct Marks : 1 Wrong Marks : 0

_____ is an instrument which measures the insulation resistance of an electric circuit relative to earth and one another.

Options :

1. Tangent galvanometer
2. Meggar
3. Current transformer
4. Voltage transformer

Question Number : 111 Question Id : 3909004311 Question Type : MCQ Option Shuffling : Yes Display Question Number : Yes
Single Line Question Option : No Option Orientation : Vertical

Correct Marks : 1 Wrong Marks : 0

A moving-coil permanent-magnet instrument can be used as _____ by using a low resistance shunt.

Options :

1. Ammeter
2. Voltmeter

3. Flux-meter

4. Ballistic galvanometer

Question Number : 112 Question Id : 3909004312 Question Type : MCQ Option Shuffling : Yes Display Question Number : Yes
Single Line Question Option : No Option Orientation : Vertical

Correct Marks : 1 Wrong Marks : 0

Calculate the work done in a resistor of 20 ohm carrying 5A of current in 3 hours.

Options :

1. 1.5 J

2. 15 J

3. 1.5 kWh

4. 15 kWh

Question Number : 113 Question Id : 3909004313 Question Type : MCQ Option Shuffling : Yes Display Question Number : Yes
Single Line Question Option : No Option Orientation : Vertical

Correct Marks : 1 Wrong Marks : 0

Braking system consists of _____

Options :

1. Bar magnet

2. Temporary magnet

3. Permanent magnet

4. Super magnet

Question Number : 114 Question Id : 3909004314 Question Type : MCQ Option Shuffling : Yes Display Question Number : Yes
Single Line Question Option : No Option Orientation : Vertical

Correct Marks : 1 Wrong Marks : 0

Pen recorders are used for signals with frequency _____

Options :

1. Less than 0.1Hz

2. Less than 1Hz
3. Medium frequency
4. High as 1 kHz

Question Number : 115 Question Id : 3909004315 Question Type : MCQ Option Shuffling : Yes Display Question Number : Yes
Single Line Question Option : No Option Orientation : Vertical

Correct Marks : 1 Wrong Marks : 0

Which of the following device can be used for concurrent measurement of two variables?

Options :

1. PMMC devices
2. Pen recorders
3. X-Y plotter
4. Circular recorder

Question Number : 116 Question Id : 3909004316 Question Type : MCQ Option Shuffling : Yes Display Question Number : Yes
Single Line Question Option : No Option Orientation : Vertical

Correct Marks : 1 Wrong Marks : 0

Which of the following device is used for calibration of potentiometer?

Options :

1. Electrochemical cell
2. Galvanometer
3. Variable dc source
4. All of the mentioned

Question Number : 117 Question Id : 3909004317 Question Type : MCQ Option Shuffling : Yes Display Question Number : Yes
Single Line Question Option : No Option Orientation : Vertical

Correct Marks : 1 Wrong Marks : 0

Which of the following represents Reynolds number for laminar flow?

Options :

1. Less than 2000
2. Greater than 4000
3. Infinite
4. Zero

Question Number : 118 Question Id : 3909004318 Question Type : MCQ Option Shuffling : Yes Display Question Number : Yes
Single Line Question Option : No Option Orientation : Vertical

Correct Marks : 1 Wrong Marks : 0

Bourdon tubes are _____

Options :

1. Very highly sensitive to shock
2. Not sensitive to shock
3. Less sensitive to shock
4. More sensitive to shock

Question Number : 119 Question Id : 3909004319 Question Type : MCQ Option Shuffling : Yes Display Question Number : Yes
Single Line Question Option : No Option Orientation : Vertical

Correct Marks : 1 Wrong Marks : 0

What will happen if secondary of a current transformer is open-circuited?

Options :

1. Hot because of heavy iron losses
2. Hot because primary will carry heavy current
3. Cool as there is no secondary current
4. Depends on other parameters

Question Number : 120 Question Id : 3909004320 Question Type : MCQ Option Shuffling : Yes Display Question Number : Yes
Single Line Question Option : No Option Orientation : Vertical

Correct Marks : 1 Wrong Marks : 0

Current transformers are _____

Options :

1. Series connected type of instrument transformers
2. Parallel connected type of instrument transformers
3. Series-parallel connected type of instrument transformers
4. Parallel connected normal transformers